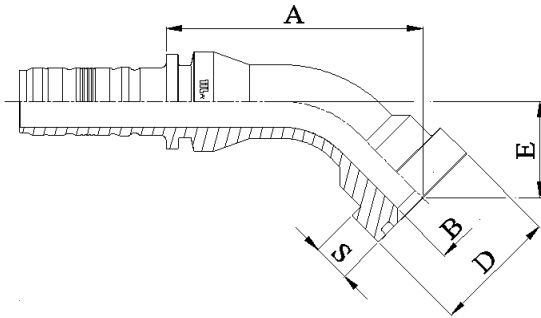


ORIGINAL EQUIPMENT CONNECTIONS

M83941

45° SUPERCAT SERIES FLANGE



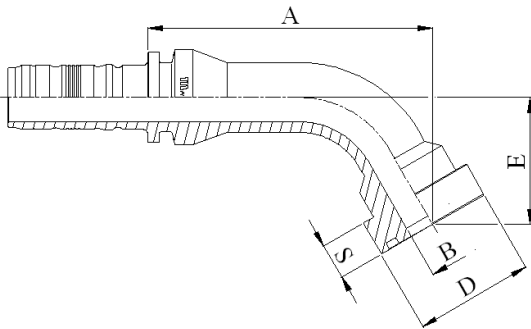
PART. REF.	HOSE BORE			Flange	Flange	DIMENSIONS mm				
	DN	Dash	inch			inch	B	A	D	E
M83941-12-12	19	- 12	3/4"	3/4"		16.0	91.5	41.5	34.5	14.3
M83941-12-16	19	- 12	3/4"	1"		19.5	92.0	47.7	35.5	14.3
M83941-16-16	25	- 16	1"	1"		19.5	98.0	47.7	36.5	14.3
M83941-16-20	25	- 16	1"	1.1/4"		26.0	101.0	54.0	40.5	14.3
M83941-20-20	31	- 20	1.1/4"	1.1/4"		26.0	109.0	54.0	40.0	14.3
M83941-20-24	31	- 20	1.1/4"	1.1/2"		32.0	106.0	63.7	46.0	14.3
M83941-24-24	38	- 24	1.1/2"	1.1/2"		32.0	111.0	63.7	45.5	14.3
M83941-24-32	38	- 24	1.1/2"	2"		42.0	122.0	79.3	56.5	14.3
M83941-32-32	51	- 32	2"	2"		42.0	150.5	79.3	61.5	14.3

245 FITTINGS

ORIGINAL EQUIPMENT CONNECTIONS

M83961

60° SUPERCAT SERIES FLANGE



PART. REF.	HOSE BORE			Flange	Flange	DIMENSIONS mm				
	DN	Dash	inch			inch	B	A	D	E
M83961-12-12	19	- 12	3/4"	3/4"		16.0	106.5	41.5	47.0	14.3
M83961-12-16	19	- 12	3/4"	1"		19.5	107.0	47.7	48.0	14.3
M83961-16-16	25	- 16	1"	1"		19.5	114.0	47.7	51.0	14.3
M83961-16-16055	25	- 16	1"	1"		19.5	100.0	47.7	55.0	14.3
M83961-16-20	25	- 16	1"	1.1/4"		26.0	116.5	54.0	54.0	14.3
M83961-20-20	31	- 20	1.1/4"	1.1/4"		26.0	130.0	54.0	54.5	14.3
M83961-20-24	31	- 20	1.1/4"	1.1/2"		32.0	126.0	63.7	63.5	14.3
M83961-24-24	38	- 24	1.1/2"	1.1/2"		32.0	140.0	63.7	63.0	14.3
M83961-32-32	51	- 32	2"	2"		42.0	194.0	79.3	86.5	14.3
M83961-32-32150	51	- 32	2"	2"		42.0	198.0	79.3	150.0	14.3